

PowerCharge™

PowerChargeEV.com

Charge Up!



PRO-LIGHTNING SERIES

(32A - 40A)

- Powerful
- Reliable
- Durable

Simple Installation

- Commercial
- Residential
- Fleet

PowerCharge™

PowerCharge™ PRO LIGHTNING

Heavy-duty commercial-grade electric vehicle charging station ideal for:

- Malls & Shopping Centers
- Office Buildings
- Municipalities
- Multi-Dwelling Households
- Hotels & AirBnBs
- Fleets

LEVEL 2 CHARGING STATION

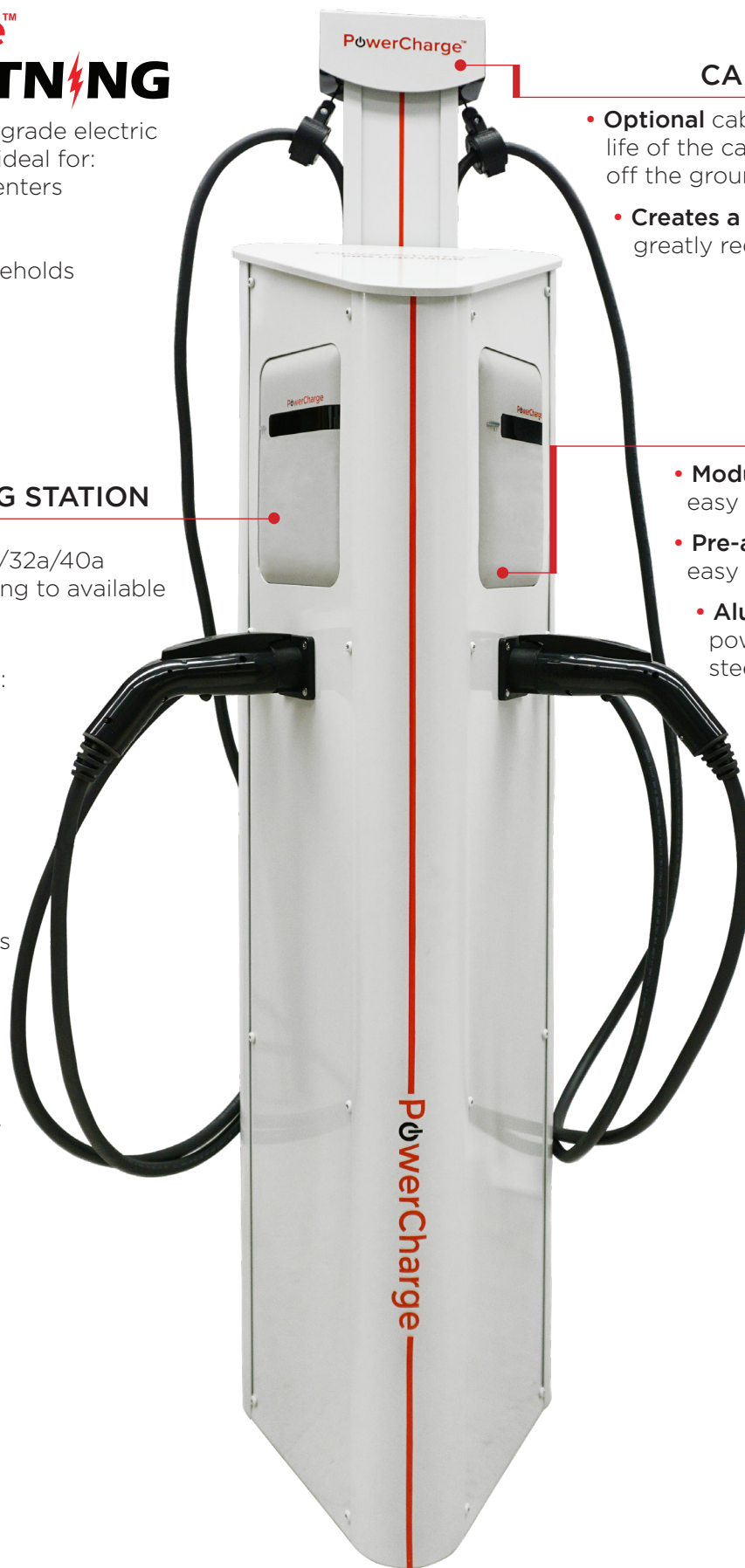
- **Adjustable** for 16a/24a/32a/40a output, ideal for matching to available infrastructure
- **Multiple** configurations:
 - Open/Plug & Charge
 - RFID Access / Wi-Fi
 - Ethernet
 - Cellular
 - Networked
- **Power share** available (single 40a feed) with networked configurations
- **Pre-configured** and tested for software / cellular connectivity
- **3-Year** warranty, 5-year available
(on electronic components)
- **10-Year** warranty on housing & optional retractor

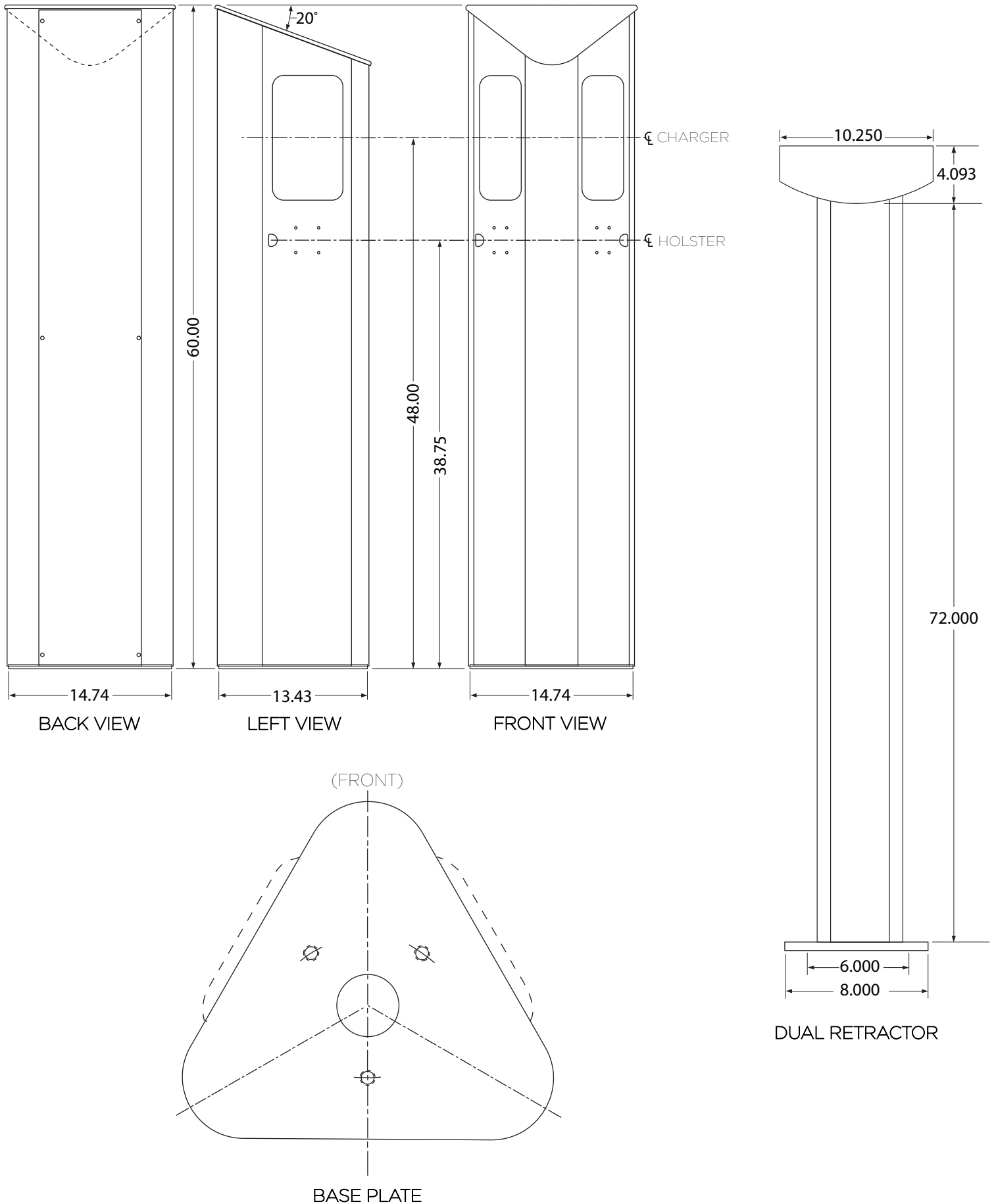
CABLE RETRACTOR

- **Optional** cable retractor extends the life of the cables by elevating them off the ground
- **Creates a safer** environment by greatly reducing tripping hazards

SLEEK & MODERN

- **Modular** design for quick & easy service and updates
- **Pre-assembled** for fast and easy installation
- **Aluminum** construction with powder coat finish & stainless steel hardware





CONFIGURATION	OPEN-ACCESS	RFID ACCESS / WI-FI	NETWORKED
APPLICATION	COMMERCIAL		
VOLTAGE (VAC)	208/240VAC, Single Phase		
FREQUENCY (Hz)	60 Hz		
CURRENT (RMS)	32A / 7.6 kW 40A / 9.6kW		
CIRCUIT BREAKER	16A=20A / 24A=30A / 32A=40A / 40A=50A		
CHARGING CONNECTOR	SAE J1772		
CHARGING CABLE LENGTH	18 ft.		
METERING ACCURACY	N/A	Embedded ±3% [32A] • Embedded ±1% [40A]	
REAL-TIME CLOCK	N/A	Yes [7 Days]	
WI-FI	N/A	802.11 b/g/n	
CELLULAR		N/A	LTE / CDMA / GSM
ETHERNET	N/A	32A / 7.6kW - No • 40A / 9.6kW - Yes	
RFID	N/A	<div style="display: flex; align-items: center;"> <div style="margin-right: 10px;">32A</div> <div style="border-left: 1px solid black; border-right: 1px solid black; padding: 0 5px;"> <div style="display: flex; flex-direction: column; align-items: center;"> <div style="margin-bottom: 5px;">ISO 14443 A/B</div> <div style="margin-bottom: 5px;">ISO 15693</div> <div style="margin-bottom: 5px;">NFC</div> <div style="margin-bottom: 5px;">NEMA Inoperability Protocol</div> </div> </div> <div style="margin-left: 10px;">40A</div> </div>	
DISPLAY	Color LED Status Lights	116(L)*8.5(w)*37(H)mm, 5.57mm CHARACTER HEIGHT 5*8 DOT MATRIX OLED 20x2 Color LED Status Lights	
DATA PROTOCOL	N/A	OCPP 1.6J	
OPERATION TEMPERATURE	-30°C/-22°F to 50°C/122°F		
STORAGE TEMPERATURE	-40°C/-40°F to 70°C/158°F		
MOUNTING TYPE	Wall / Pedestal Mount / Ceiling Mount		
STORAGE TEMPERATURE	-40°C/-40°F to 70°C/158°F		
IP PERFORMANCE	NEMA 4		
DIMENSION (LxWxH, INCHES)	11.14 x 7.56 x 3.11"		
IMPACT RESISTANCE	IK10		
WEB PORTAL MANAGEMENT	N/A	Yes	
CERTIFICATION	UL 50/991/1449/1998/2231/2594 FCC Part 15B		
	N/A	FCC Part 15.225 (RFID 13.56MHz) FCC Part 15.247 (WLAN 2.4GHz)	
		N/A	FCC Part 27 (AT&T) FCC Part 27 (Verizon)
DIMENSIONS	48"x11.5"x11.5" • 72"x11.5"x11.5"		
PEDESTAL CONSTRUCTION	Aluminum, Powder-Coat Finish, Stainless Steel Hardware		
WARRANTY	3 Year Parts Warranty (5 Year Parts & Labor Optional)		