

# PowerCharge™

PowerChargeEV.com

Charge Up!

## MOBILE EV CART

Part # PC-CART-A-05

The  
PowerCharge™  
Mobile EV cart is  
ingeniously  
designed to provide  
safe on-the-go  
electric vehicle  
charging.



PowerCharge™

### IDEAL FOR

- Dealerships
- Garages
- Auto bays
- Auto prep bays
- Fleets
- Municipalities
- Anywhere EV charging is required

### HANDLEBAR GRIP

- **Cart handle grip** provides a padded comfortable handle to transport from one location to another with ease

### RUBBERIZED FLANGES

- **Wrapped rubber gasket** protects against sharp edges and provides a grip for hanging cables
- **Front and rear flanges** provides a place to wrap EV cable around to create a safe environment and reduce tripping hazards

### CHARGER MOUNTING

- **Ample backwall space** fits EV chargers up to 80a (19.2kW) and 25 ft. cables
- **Aluminum construction** allows for easy, simple hole drilling for mounting EV charger  
**NOTE:** Requires a charger feed

### MOBILE CART WHEELS

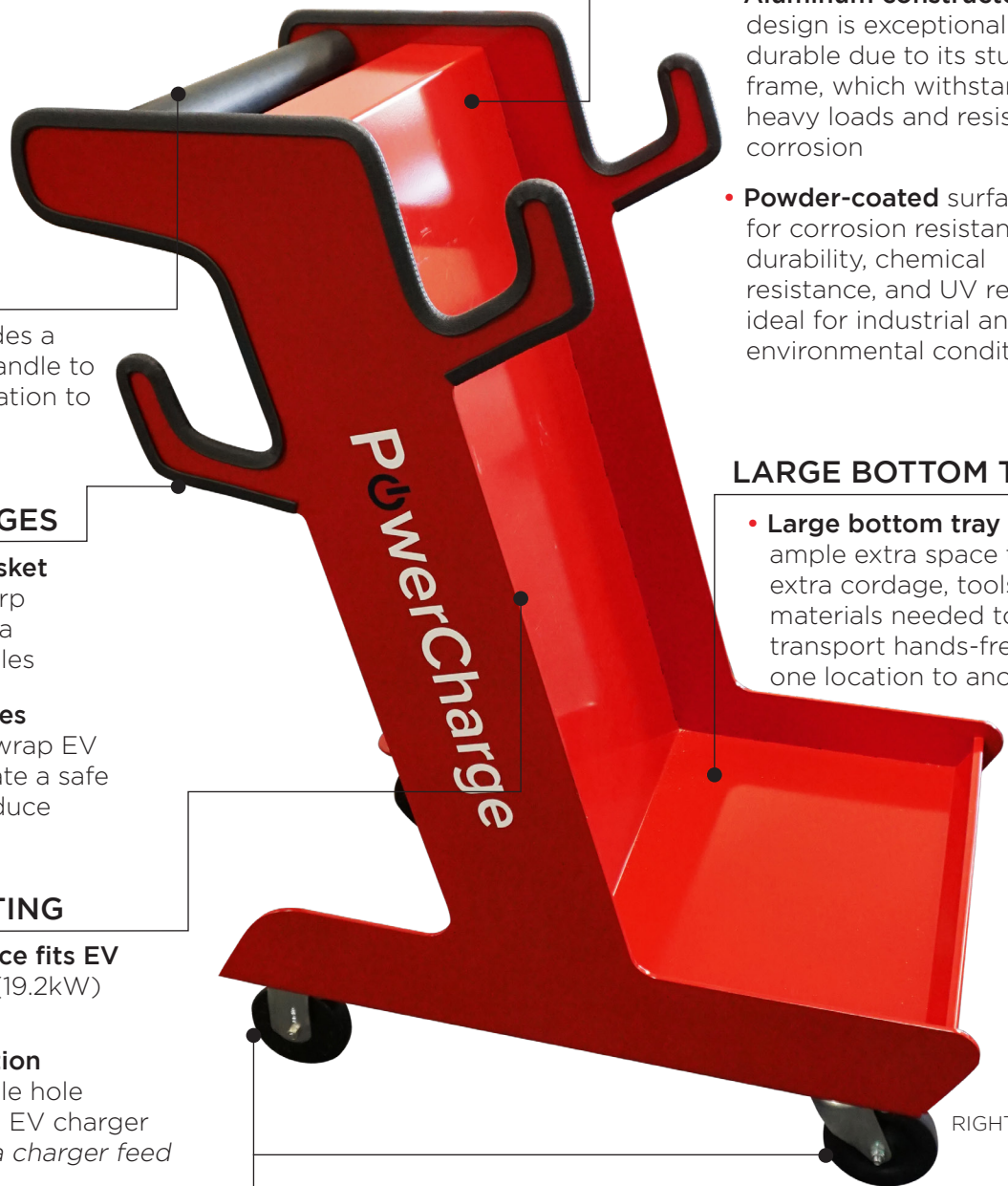
- **Swivel casters feature double-ball bearings** which allows for smooth swiveling and turning corners
- **Front caster wheels equipped** with a wheel brake which stops movement with a press of the foot pedal

### DESIGNED FOR DURABILITY

- **Aluminum constructed** design is exceptionally durable due to its sturdy frame, which withstands heavy loads and resists corrosion
- **Powder-coated** surface for corrosion resistance, durability, chemical resistance, and UV resistance ideal for industrial and harsh environmental conditions

### LARGE BOTTOM TRAY

- **Large bottom tray** provides ample extra space to store extra cordage, tools, or any materials needed to transport hands-free from one location to another



RIGHT SIDE ANGLE



FRONT

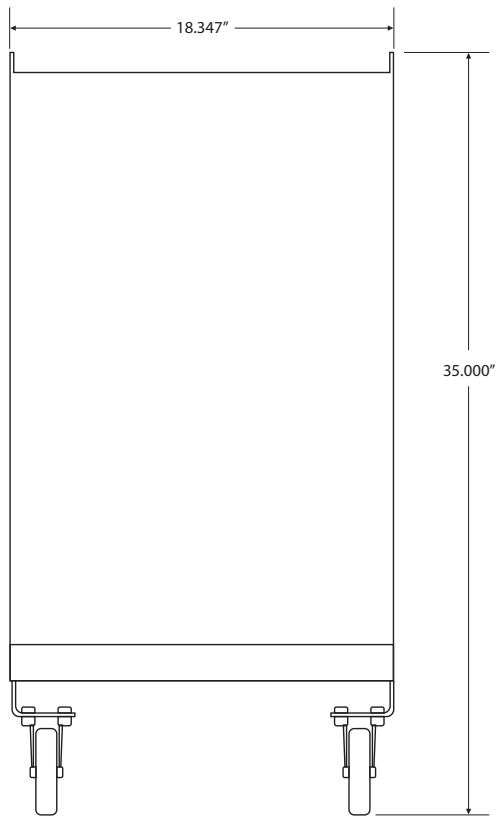


LEFT SIDE

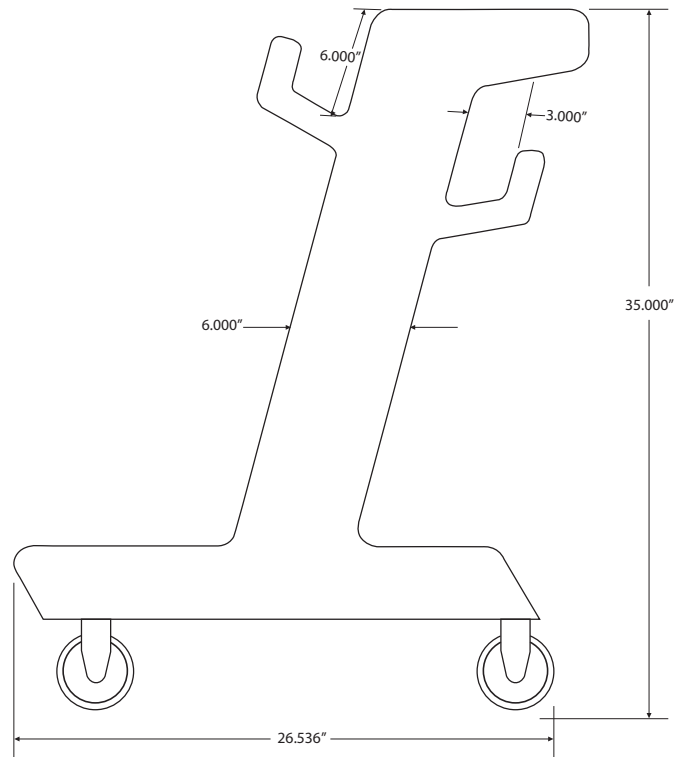


REAR

FRONT



LEFT / RIGHT SIDE



BACK ANGLE

